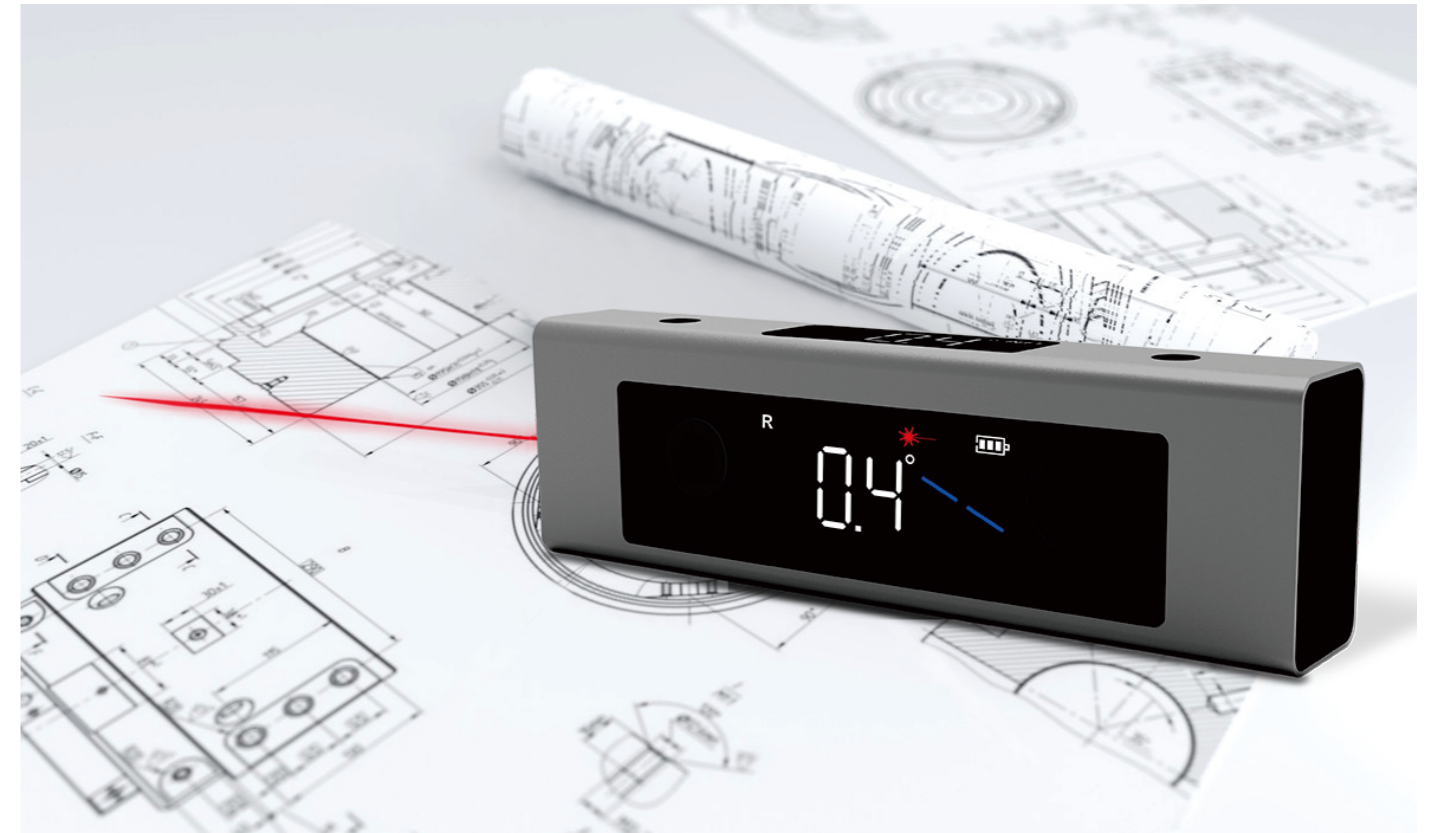


Wenzhou Sanhe Measuring Instrument Co., Ltd has the final interpretation for the contents of this catalog. For further information, please feel free to contact us. Our engineers will be happy to assist with you. Due to the continuous innovation of product technology, if there is any change in the content, please refer to the actual product or catalog. Thank you for your understanding.



Wenzhou Sanhe Measuring Instrument Co.,Ltd
Address: Xiangyang Industrial Zone, Liushi Town, Wenzhou, China 325604
Tel: +86-577-57151590
Fax: +86-577-57151067
E-mail: shahe@shahemeasuring.com
www.shahemeasuring.com

MEASURING INSTRUMENTS / CATALOG EDITION 2023

Wenzhou Sanhe Measuring Instrument Co.,Ltd

Wenzhou Sanhe Measuring Instrument Co.,Ltd

Wenzhou Sanhe Measuring Instrument Co., LTD. established in May, 2002. It is a global company integrating research, development, production and trade of measuring instruments.

As a professional entity integrating industry and trade, we can provide reliable product delivery and consistent quality service to customers around the world. Our perfect equipment and strong process design capabilities enable us to manufacture high quality tool products to meet the different requirements of our customers. To prove the quality level of our products, our products are also CE and RoHS certified.

We specialize in the manufacture of precision measuring equipment. The company has always pursued the "quality first, customer first, technology first, integrity-based" business philosophy. Our products are applicable to electronic and electrical appliances, electromagnetic machinery, auto parts, power machinery, building doors and windows, spring manufacturing, medical instruments, furniture, elevators, woodworking, and schools and other industries. In addition, we are also able to customize products according to customer needs. For details, please contact us directly.



CONTENTS

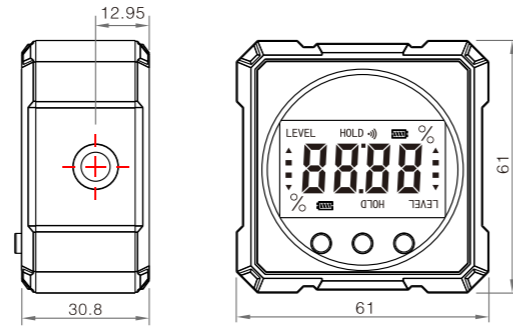
- 01-02 Two-sided Laser Digital Inclinator
- 03 Digital Inclinator
- 04 Dual Axis Digital Inclinator
- 05 Instructions For Wireless Angle Gauge
- 05 Wireless Angle Gauge
- 06 Instructions For Digital Inclinator
- 06-07 Digital Inclinator
- 08 Smart Angle Gauge
- 08 Digital Protractor
- 09-10 Multi-function Digital Level
- 11-12 Digital Angle Ruler
 - 13 Two-in-One Horizontal Angle Ruler
 - 13 Aluminum Alloy Angle Ruler
 - 14 Folding guiding rule
 - 15 Economy Scoliosis Meter
- 15-16 Digital distance gauge



▶ Two-sided Laser Digital Inclinator



5341-90



Technical Data

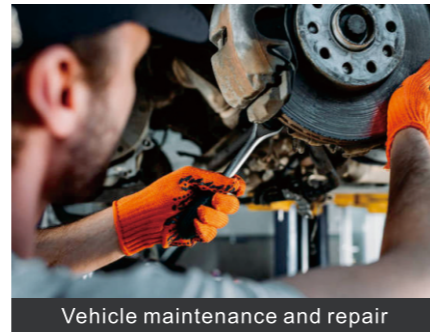
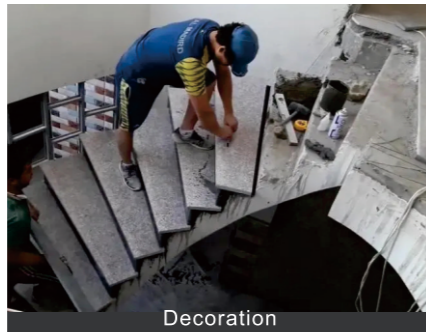
Model	Range	Accuracy	Resolution	Repeatability	Magnets
5341-90	4°90°	±0.2°	0.05°	0.1°	magnets on 4 surfaces

Features

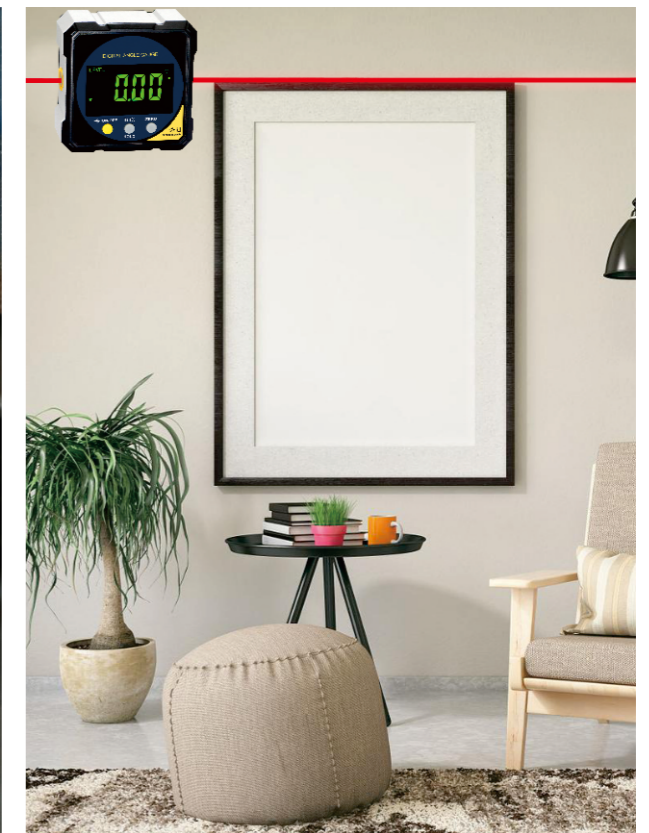
- Buttons: on/off, zero, data hold, laser switch
- Angle and slope conversion
- Absolute and relative measurements are available
- Automatic power off in 3 minutes
- With powerful magnet, the square is rechargeable
- Operating Temperature: -10~50°C
- Battery 3.7V lithium battery

Multiple application scopes

The application range is wide, and the diversified use requirements are met.



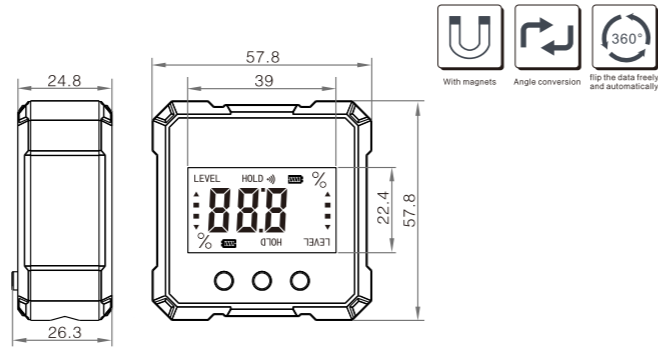
▶ Two-sided Laser Digital Inclinator



Digital Inclinometer



5315-90C(VA white light)



Technical Data

Model	Range	Accuracy	Resolution	Repeat ability	L*H*W (mm)	Net Weight (g)	Magnets	Illum inate
5315-90C	4°90°	±0.2°	0.05°	0.1°	56.6*54.6*26	80	On the bottom	Yes

Features

- Battery: 2*AAA batteries
- Operating temperature: 0°C ~ 40°C
- Humidity: ≤ 80% RH
- Buttons: on/off, zero, angle/slope conversion, data hold
- Automatic power off in 3 minutes

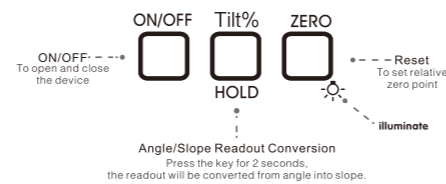
Digital Inclinometer



5515-90W(LCD white light) 5515-90G(LCD Green light) 5515-90BG(VAGreen light) 5515-90BW(LCD white light) 5415-90(LCD white light) 5339-90(LCD white light)



5515-90WF(LCD white light) 5515-90GF(LCD Green light) 5515-90BWF(LCD white light)



Technical Data

Model	Range	Accuracy	Resolution	Repeat ability	L*H*W (mm)	Net Weight (g)	Magnets	Illum inate	Waterproof
5515-90 W/G/BG/BW	4°90°	±0.2°	0.05°	0.1°	56.6*54.6*26	80	On the bottom	Yes	
5515-90 WF/GF /BGF/BWF	4°90°	±0.2°	0.05°	0.1°	56.6*54.6*26	80	On the bottom	Yes	IP65
5415-90	4°90°	±0.2°	0.05°	0.1°	57*57*30.5	190	On the bottom	Yes	
5339-90	4°90°	±0.2°	0.05°	0.1°	61*59*30.5	225	On the 3 side surfaces	Yes	

Features

- Battery: 2*AAA batteries
- Operating temperature: -10°C ~ 50°C
- Humidity: ≤ 80% RH
- Buttons: on/off, zero, angle/slope conversion, data hold
- Automatic power off in 3 minutes

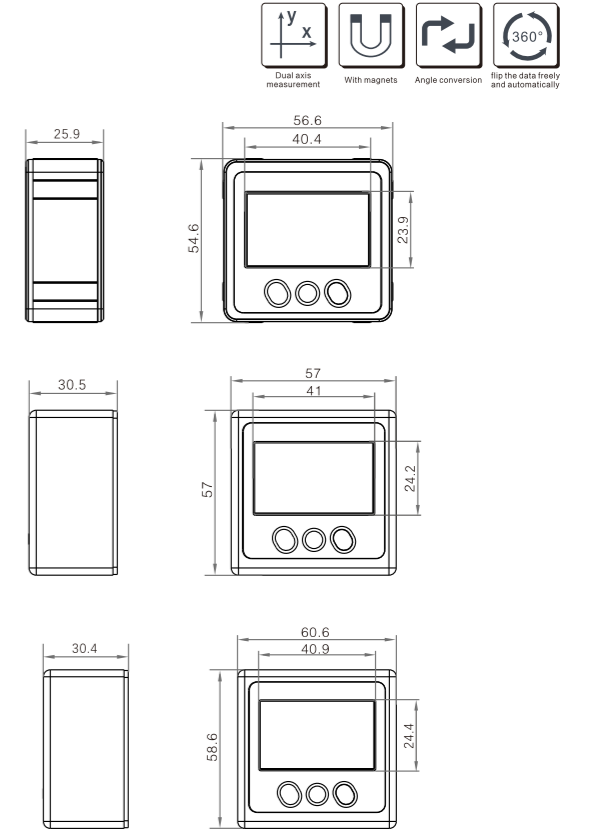
Dual Axis Digital Inclinometer



5515-90DS



5515-90FS



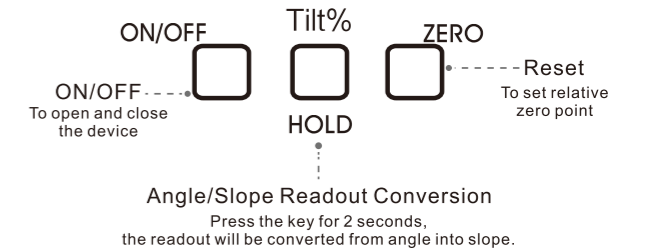
5415-90DS



5339-90DS



with illuminate with magnets on three sides surfaces LCD display



Technical Data

Model	Range		Accuracy	Resolution	Repeatability	L*H*W (mm)	Net Weight (g)	Magnets	Water proof
	Single Axis	Double Axis							
5515-90DS	4°90°	±40°	±0.2°	0.05°	0.1°	56.6*54.6*26	80	Inside of the base	
5515-90FS	4°90°	±40°	±0.2°	0.05°	0.1°	56.6*54.6*26	80	Inside of the base	IP65
5415-90DS	4°90°	±40°	±0.2°	0.05°	0.1°	57*57*30.5	190	On the base	
5339-90DS	4°90°	±40°	±0.2°	0.05°	0.1°	61*59*30.5	225	On 3 surfaces	

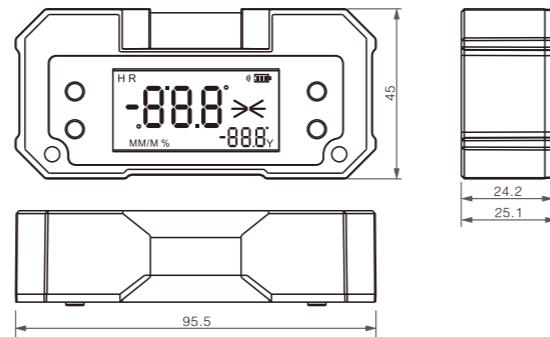
Features

- Battery: 2*AAA batteries
- Operating temperature: 0°C ~ 40°C
- Humidity: ≤ 80% RH
- Buttons: on/off, zero, angle/slope conversion, data hold
- Automatic power off in 3 minutes
- Biaxial measurement in both horizontal and vertical directions

▶ Instructions For Wireless Angle Gauge



5346-L



Technical Data

Model	Range		Accuracy		Resolution	Repeatability	Magnets
5346-L	Uniaxial 4 × 90°	Biaxial 40°	Uniaxial 0.2°	Biaxial 0.3°	0.1	0.1	magnets on 2 surfaces
5346	Uniaxial 4 × 90°	Biaxial 40°	Uniaxial 0.2°	Biaxial 0.3°	0.1	0.1	magnets on 2 surfaces

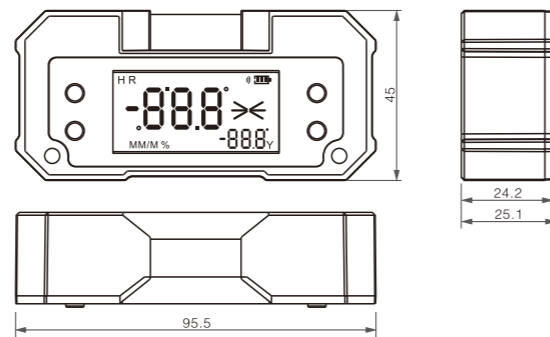
Features

- Absolute and relative measurements are available
- Automatic power off in 3 minutes
- With powerful magnet, the square is rechargeable
- Operating Temperature: -10~50°C
- Battery 3.7V lithium battery
- Main display:
 1. For uniaxial measurement, the main display screen only displays X-axis data.
 2. For biaxial measurement, the main display screen displays X-axis and Y-axis data at the same time.

▶ Wireless Angle Gauge



5346



Technical Data

Model	Range		Accuracy		Resolution	Repeatability	Magnets
5346-L	Uniaxial 4 × 90°	Biaxial 40°	Uniaxial 0.2°	Biaxial 0.3°	0.1	0.1	magnets on 2 surfaces
5346	Uniaxial 4 × 90°	Biaxial 40°	Uniaxial 0.2°	Biaxial 0.3°	0.1	0.1	magnets on 2 surfaces

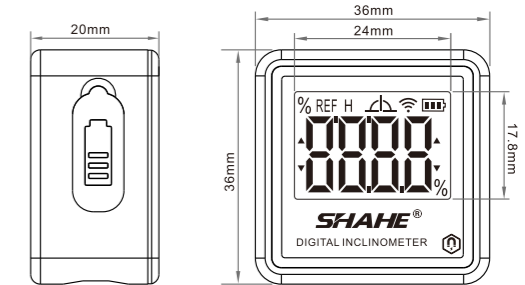
Features

- Absolute and relative measurements are available
- Automatic power off in 3 minutes
- With powerful magnet, the square is rechargeable
- Operating Temperature: -10~50°C
- Battery 3.7V lithium battery
- Main display:
 1. For uniaxial measurement, the main display screen only displays X-axis data.
 2. For biaxial measurement, the main display screen displays X-axis and Y-axis data at the same time.

▶ Instructions For Digital Inclinometer



5347-L



Technical Data

Model	Range	Accuracy	Resolution	Repeatability	Magnets
5341-90	4°90°	±0.2°	0.05°	0.1°	magnets on 1 surfaces
5341-90	4°90°	±0.2°	0.05°	0.1°	magnets on 1 surfaces

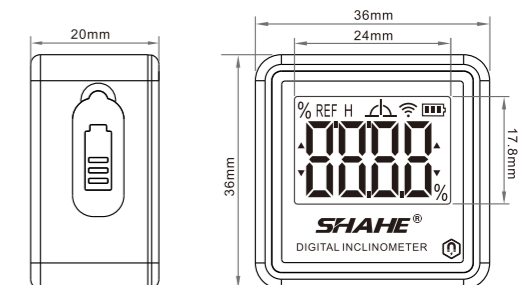
Features

- Absolute and relative measurements are available
- Automatic power off in 3 minutes
- With powerful magnet, the square is rechargeable
- Operating Temperature: -10~50°C
- Battery 3.7V lithium battery

▶ Digital Inclinometer



5347



Technical Data

Model	Range	Accuracy	Resolution	Repeatability	Magnets
5341-90	4°90°	±0.2°	0.05°	0.1°	magnets on 1 surfaces
5341-90	4°90°	±0.2°	0.05°	0.1°	magnets on 1 surfaces

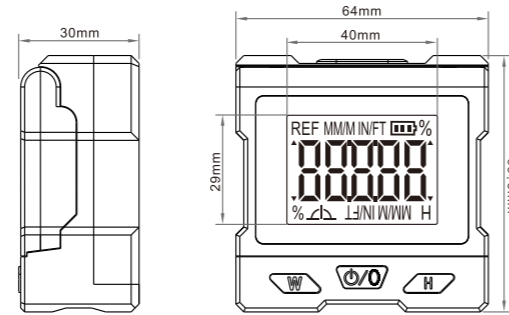
Features

- Absolute and relative measurements are available
- Automatic power off in 3 minutes
- With powerful magnet, the square is rechargeable
- Operating Temperature: -10~50°C
- Battery 3.7V lithium battery

Digital Inclinator



5348



Technical Data

Model	Range	Accuracy	Resolution	Repeatability	Magnets
5348	4°90°	±0.2°	0.05°	0.1°	magnets on 4 surfaces

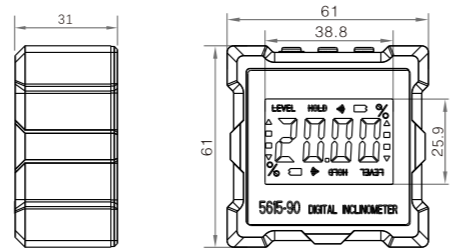
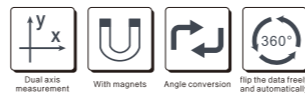
Features

- Absolute and relative measurements are available
- Automatic power off in 3 minutes
- With powerful magnet, the square is rechargeable
- Operating Temperature -10 ~ 50°C
- Battery 3.7V lithium battery

Digital Inclinator



5418-90



Technical Data

Model	Range	Accuracy	Resolution	Repeatability	Magnets
5418-90	4°90°	±0.2°	0.05°	0.1°	magnets on 4 surfaces

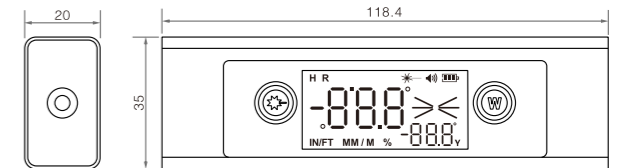
Features

- Battery: 2*AAA batteries
- Operating temperature: 0°C ~ 40°C
- Humidity: ≤ 80% RH
- Buttons: on/off, zero, angle/slope conversion, data hold
- Automatic power off in 3 minutes

Smart Angle Gauge



5342



Technical Data

Model	Range	Accuracy	Resolution	Repeatability	Charger interface
5342	Single axis 4×90°	Single axis ±0.2°	0.1°	0.1°	DC5V 400mA (Type-c)
	Double axis ±40°	Dual axis ±0.3°			

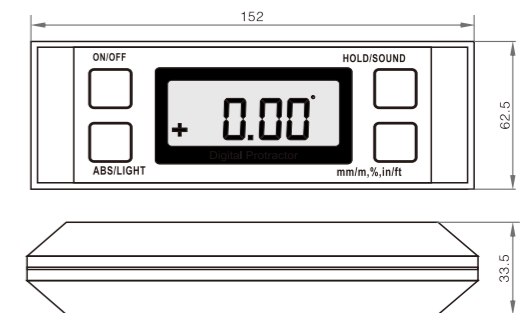
Features

- Magnet: Magnetic adsorption measurement surface, it can be adsorbed on the measured workpiece for measurement.
- Benchmark: Absolute zero measurement with the horizontal plane as the reference point.
- Working environment: 0-40°C (Humidity not more than 80%)
- Power supply: 3.7V lithium battery

Digital Protractor



5340-90



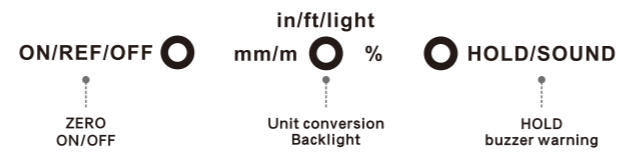
Technical Data

Model	Range	Accuracy	Resolution	Magnets	Illuminate
5340-90	4°90°	±0.15°	0.05°	Yes	Yes
5340-90D	4°90°	±0.15°	0.05°	/	Yes

Features

- Battery: DC3V (AAA*2)
- Operating temperature: 0°C ~ 40°C
- Humidity: ≤ 80% RH
- Buttons: on/off, zero, angle/slope conversion, data hold
- Automatic power off in 3 minutes
- With protractor, inclinometer and level in one
- Precise aluminum construction
- V-groove base plate with magnet

▶ Multi-function Digital Level



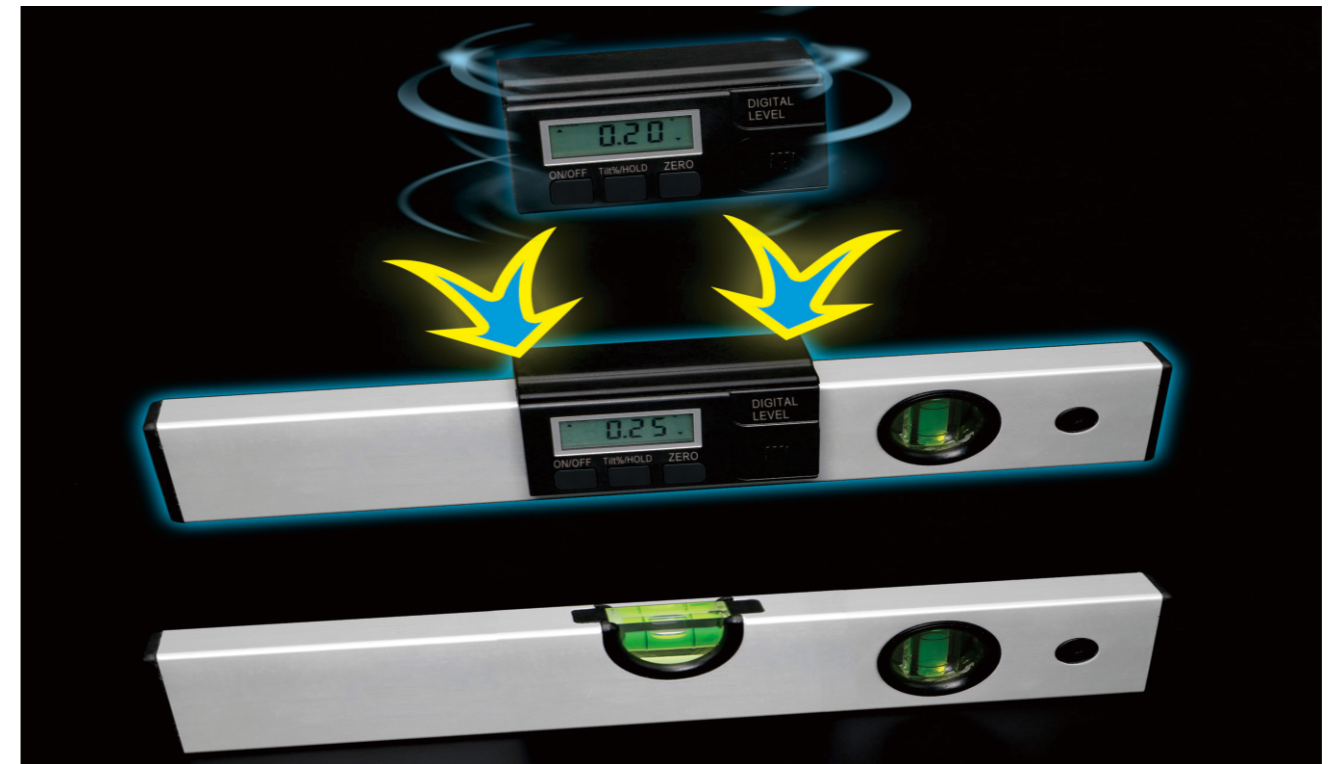
Technical Data

Model	Specification (mm/inch)	Range	Accuracy	Resolution	With Laser
5419-225	225/9	4*90°	± 0.2°	0.05°	/
5419-400	400/16	4*90°	± 0.2°	0.05°	/
5419-600	600/24	4*90°	± 0.2°	0.05°	/
5419-1000	1000/40	4*90°	± 0.2°	0.05°	/
5419-225D	225/9	4*90°	± 0.2°	0.05°	Yes
5419-400D	400/16	4*90°	± 0.2°	0.05°	Yes
5419-600D	600/24	4*90°	± 0.2°	0.05°	Yes
5419-1000D	1000/40	4*90°	± 0.2°	0.05°	Yes

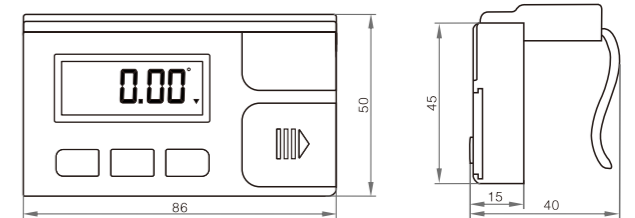
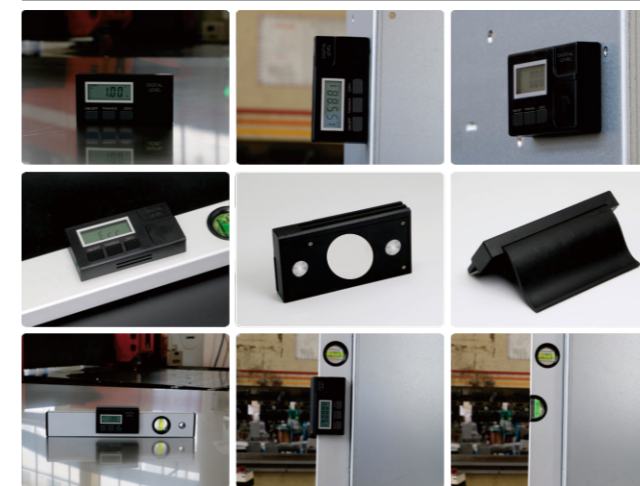
Features

- Material: high strength aluminum alloy
- Buttons: on/off, zero, units conversion (mm/m, in/ft, %), data hold, backlight, buzzer warning, angle/slope conversion
- Automatic power on/off
- Optional laser

▶ Multi-function Digital Level



Application



Technical Data

Model	Range	Accuracy	Resolution	Repeatability
5517K-90	4*90°	± 0.2°	0.05°	0.1°

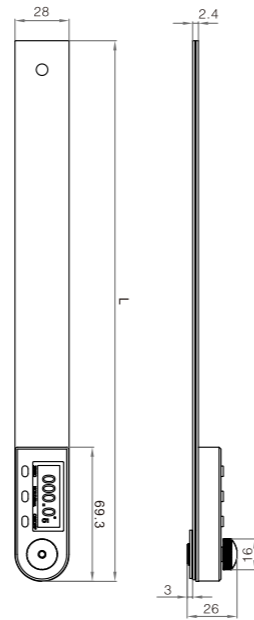
Features

- Available in different levels
- Optional clamping device
- Absolute angle measurement and relative angle measurement
- Angle and slope conversion

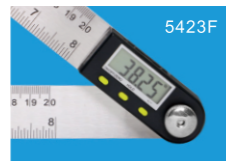
▶ Digital Angle Ruler



5423F-200



5423Z



5423F

Features

- Measure the angles and lengths
- Battery: 3V CR2032 environmental lithium battery
- Operating temperature: 0°C~ 40°C
- Humidity: ≤ 80% RH
- Buttons: on/off, zero, angle/slope conversion, data hold

Technical Data

Model		Range		Accuracy (mm)	Resolution	Decimal Reading	Sexagesimal Reading	L (mm)
		(mm)	(°)					
5423Z-200	5423F-200	0-200	0-360°	±0.3	0.05°	Yes	Yes	280
5423Z-300	5423F-300	0-300	0-360°	±0.3	0.05°	Yes	Yes	380
5423Z-500	5423F-500	0-500	0-360°	±0.3	0.05°	Yes	Yes	585

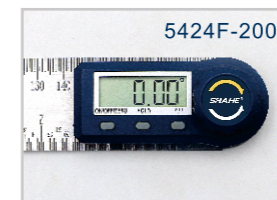
▶ Digital Angle Ruler



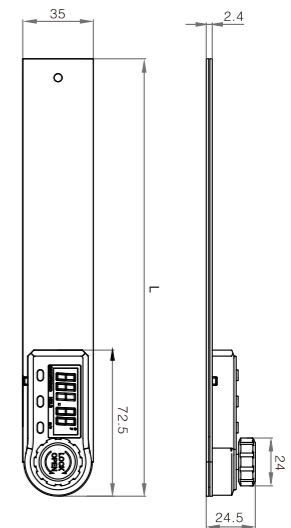
5424F-200



5424Z-200



5424F-200



Features

- Measure the angles and lengths
- Material: Stainless steel
- Buttons: on/off, zero, angle/slope conversion, data hold

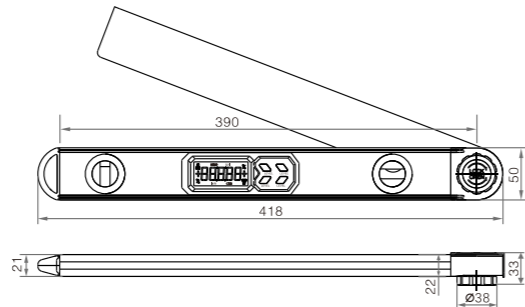
Technical Data

Model		Range		Accuracy (mm)	Resolution	Decimal Reading	Sexagesimal Reading	L (mm)
		(mm)	(°)					
5424Z-200	5424F-200	0-200	0-360°	± 0.3	0.05°	Yes	Yes	217
5424Z-300	5424F-300	0-300	0-360°	± 0.3	0.05°	Yes	Yes	317
5424Z-500	5424F-500	0-500	0-360°	± 0.3	0.05°	Yes	Yes	517

▶ Two-in-One Horizontal Angle Ruler



5425S-400



Technical Data

Model	5425S-400	
Type	Level bar	Angle ruler
Range	4*90°	0~225°
Resolution	0.05°	0.05°
Accuracy	± 0.2°	± 0.5°
Repeatability	0.1°	0.05°

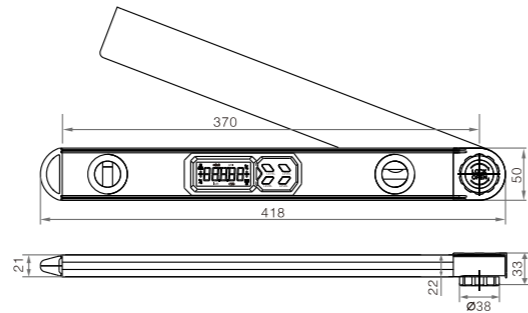
Features

- Backlight
- Lockable
- Material: high strength aluminum alloy
- Automatic power off in 3 minutes
- Absolute and relative measurements can be made on the horizontal plane
- Storage Temperature: -20 ~ 60°C
- Operating Temperature: 0 ~ 40°C
- Humidity: ≤ 80% RH
- Battery: 2*7# batteries (1.5V)

▶ Aluminum Alloy Angle Ruler



5425-400



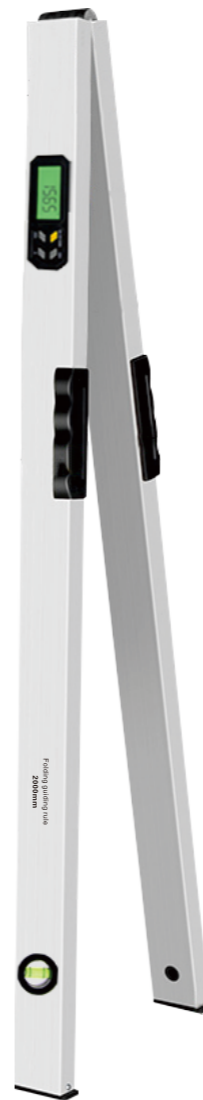
Technical Data

Model	Range	Accuracy	Resolution
5425-400	0~225°	± 0.5°	0.05°

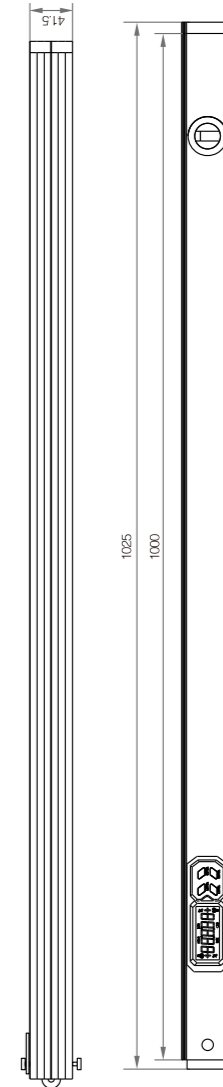
Features

- Backlight
- Lockable
- Material: high strength aluminum alloy
- Automatic power off in 3 minutes
- Storage Temperature: -20 ~ 60°C
- Operating Temperature: 0 ~ 40°C
- Humidity: ≤ 80% RH
- Battery: 2*7# batteries (1.5V)

▶ Folding guiding rule



5420-2000



Technical Data

Model	Specification (mm/inch)	Range	Accuracy	Resolution	With Laser
5420-2000	225/9	4*90°	± 0.3°	0.05°	/

Features

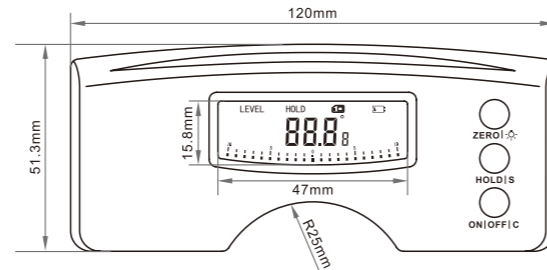
- Material: high strength aluminum alloy
- Buttons: on/off, zero, units conversion (mm/m, in/ft, %, mm/2m), data hold, backlight, buzzer warning, angle/slope conversion
- Automatic power on/off
- Optional laser



▶ Economy Scoliosis Meter



5344

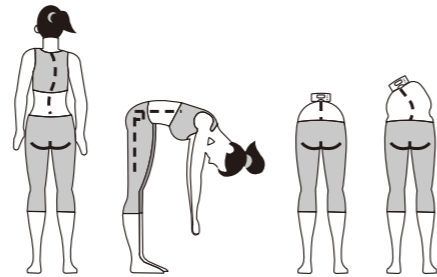


Technical Data

Measuring range	0-30°
Battery	3V CR2032*2

Usage

- Step 1: The testee should stand, keep their feet and shoulder the same width and both hands side raise.
- Step 2: Please hang down both arms, stand downwards, keep a bent gesture, keep arms vertical to the horizontal plane and arms vertical to the body.



Evaluation standard

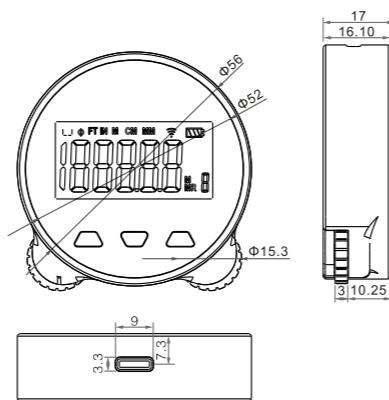
Test result	Evaluation
0° ≤ Test value < 4°	Normal
4° ≤ Test value < 7°	Idiopathic scoliosis low risk
Test value ≥ 7°	Idiopathic scoliosis high risk
Test value ≥ 5°	It is recommended to have further medical examination

Note: The measurement of the inclination Angle of the spinal drain cannot be used as a basis for medical diagnosis.

▶ Digital distance gauge



5349



Technical Data

Unit	cm/in
Working temperature	-10~50°C
Cruising power	Uninterrupted work 6 hours
Measuring range	0-199.999 meters
Stand-by time	300 days
Type of battery	260mAh lithium polymer battery
Charge mode	DC5V

Features

- Data reset
- Unit switchover
- Accuracy Setting
- Datum Mark switch
- Data Storage

▶ Digital distance gauge

